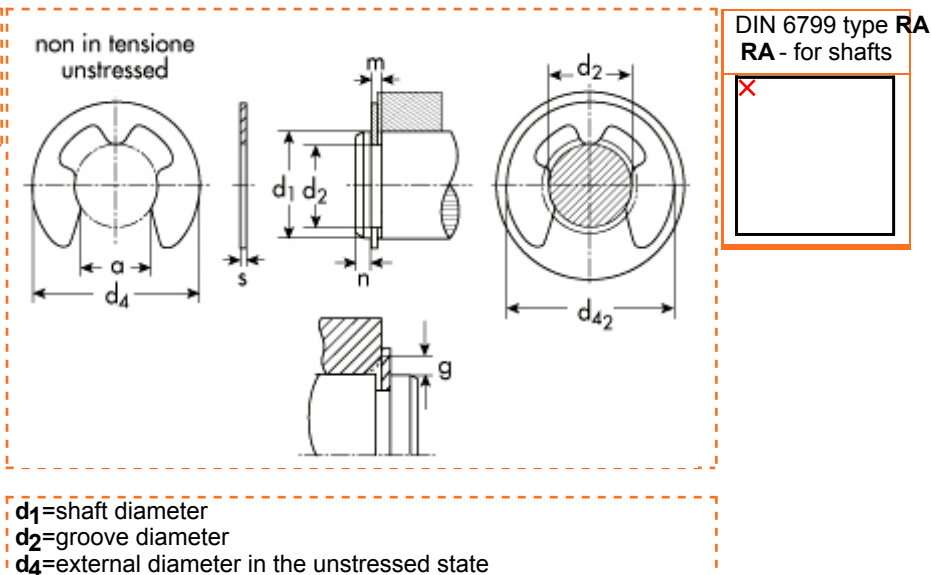


**RETAINING RINGS**

**Material:** INOX X35 Cr Mo 17  
INOX X39 Cr Mo 17.1 or AISI 420

**Example of designation:**  
ring type **RA 4 STAINLESS STEEL**



**d<sub>1</sub>**=shaft diameter  
**d<sub>2</sub>**=groove diameter  
**d<sub>4</sub>**=external diameter in the unstressed state

d <sub>2</sub>	Description	Price euro /100	% Price Change		Package
			1	2	
4.0	RA 4 INOX	0,55	NET	-	5000

RING		GROOVE		SUPPLEMENTARY DATA	
d <sub>1</sub>	5.0 ÷ 7.0	d <sub>2</sub>	4.0	n	1.2
s	0.70	tole d <sub>2</sub>	-0.075	FN (kN)	0.25
tole s	+0.02 -0.02	m	0.74	FR (kN)	0.95
d <sub>4</sub>	8.85			g	1.0
weight kg/1000	0.158			FRg (kN)	0.47
				d <sub>42</sub>	9.0
				n <sub>abl. x1000 (giri/min)</sub>	32
				plier	GRA 4

Technical informations are indicative and can be updated.

Copyright Gandini Fasteners S.r.l. All rights reserved. No part of this web site may be reproduced in any form without express permission.

**GANDINI FASTENERS SRL** viale Pier Paolo Pasolini, 83 - 20099 Sesto S.Giovanni Milano Italy  
Tel. +39 02 241 047 250 Fax +39 02 241 047 74

Production and distribution  
of fasteners, fixing elements  
and mechanical parts  
machining

**GANDINI FASTENERS SRL**  
viale Pier Paolo Pasolini, 83  
Sesto San Giovanni Mi - Italy

**Sales department**  
250@gandini.it  
tel +39 02 241 047 250

**Administration**  
350@gandini.it  
tel +39 02 241 047 350