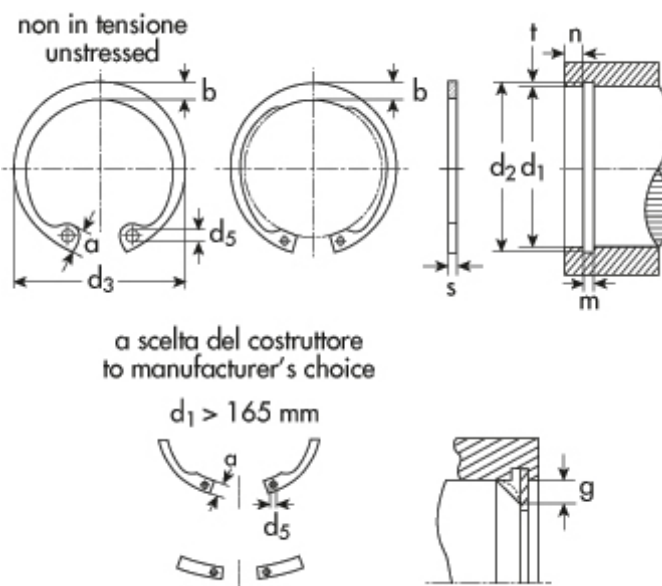


**RETAINING RINGS**

**Material:** INOX X35 Cr Mo 17  
INOX X39 Cr Mo 17.1 or AISI 420

**JSP= up Ø 100**  
without lugs  
INOX X12 Cr Ni 17.7

**Example of designation:**  
ring type **J 30 STAINLESS STEEL**



DIN 472  
UNI 3654-7437  
Type J - for bores



**d<sub>1</sub>**=bore diameter  
**d<sub>2</sub>**=groove diameter  
**d<sub>3</sub>**=ring diameter in the unstressed state  
**s**=thickness

d1	Description	Price euro /100	% Price Change		Package
			1	2	
34.00	J 34 INOX	8,20	NET	-	250

RING		GROOVE		SUPPLEMENTARY DATA	
d <sub>1</sub>	34.00	d <sub>2</sub>	35.7	n	2.6
s	1.50	tole d <sub>2</sub>	0.25	FN (kN)	15.40
tole s	-0.06	m	1.60	FR (kN)	26.2
d <sub>3</sub>	36.5	t	0.85	g	1.5
tole d <sub>3</sub>	+0.50 -0.25			FRg (kN)	6.3
a max	5.4			AN (mm <sup>2</sup> )	92.6
b ~	3.3			K (kN.mm)	50.0
d <sub>5</sub> min	2.5			plier	ZGJ 2
weight kg/1000	3.200				

Technical informations are indicative and can be updated.

Copyright Gandini Fasteners S.r.l. All rights reserved. No part of this web site may be reproduced in any form without express permission.

**GANDINI FASTENERS SRL** viale Pier Paolo Pasolini, 83 - 20099 Sesto S.Giovanni Milano Italy  
Tel. +39 02 241 047 250 Fax +39 02 241 047 74

Production and distribution  
of fasteners, fixing elements  
and mechanical parts  
machining

**GANDINI FASTENERS SRL**  
viale Pier Paolo Pasolini, 83  
Sesto San Giovanni Mi - Italy

**Sales department**  
250@gandini.it  
tel +39 02 241 047 250

**Administration**  
350@gandini.it  
tel +39 02 241 047 350