

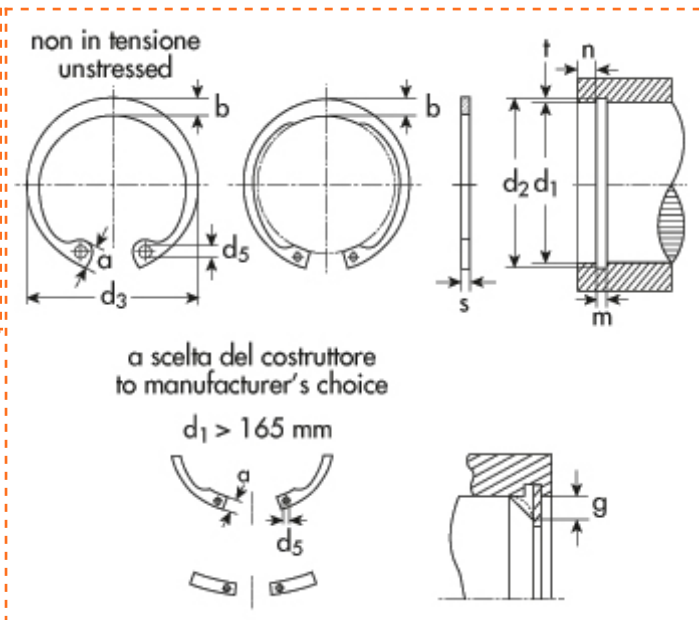
**RETAINING RINGS**

**Material:** Spring steel

**Hardness:**

**SURFACE FINISHES**  
**Phosphated and oiled**  
**Blackened and oiled**  
 Manufacturer's choice

**Example of designation:**  
 ring type **JM 20 IMPILATI**



**d<sub>1</sub>**=bore diameter  
**d<sub>2</sub>**=groove diameter  
**d<sub>3</sub>**=ring diameter in the unstressed state  
**s**=thickness

d1	Description	Price euro /100	% Price Change		Package
			1	2	
<b>28.00</b>	<b>JM 28 impilati</b>	<b>on demand</b>	-	-	-

RING		GROOVE		SUPPLEMENTARY DATA	
<b>d<sub>1</sub></b>	28.00	<b>d<sub>2</sub></b>	29.4	<b>n</b>	2.1
<b>s</b>	1.20	<b>tole d<sub>2</sub></b>	0.21	<b>FN (kN)</b>	10.50
<b>tole s</b>	-0.06	<b>m</b>	1.30	<b>FR (kN)</b>	13.3
<b>d<sub>3</sub></b>	30.1	<b>t</b>	0.70	<b>g</b>	1.0
<b>tole d<sub>3</sub></b>	+0.50 -0.25			<b>FRg (kN)</b>	4.5
<b>a max</b>	4.8			<b>AN (mm<sup>2</sup>)</b>	63.1
<b>b ~</b>	2.9			<b>K (kN.mm)</b>	26.3
<b>d<sub>5</sub> min</b>	2.0			<b>plier</b>	ZGJ 2
<b>weight kg/1000</b>	1.800				

Technical informations are indicative and can be updated.  
 Copyright Gandini Fasteners S.r.l. All rights reserved. No part of this web site may be reproduced in any form without express permission.

**GANDINI FASTENERS SRL** viale Pier Paolo Pasolini, 83 - 20099 Sesto S.Giovanni Milano Italy  
 Tel. +39 02 241 047 250 Fax +39 02 241 047 74

Production and distribution of fasteners, fixing elements and mechanical parts machining

**GANDINI FASTENERS SRL**  
 viale Pier Paolo Pasolini, 83  
 Sesto San Giovanni Mi - Italy

**Sales department**  
 250@gandini.it  
 tel +39 02 241 047 250

**Administration**  
 350@gandini.it  
 tel +39 02 241 047 350