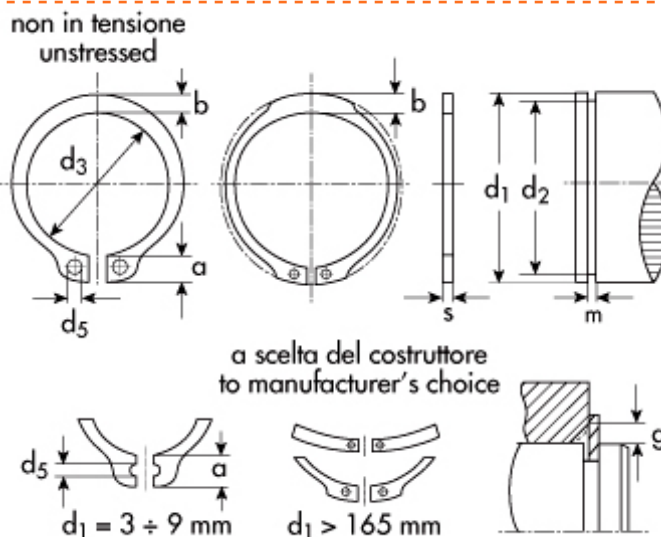


RETAINING RINGS
Material: Spring steel

Hardness:
SURFACE FINISHES
 Phosphated and oiled
 Blackened and oiled
 Manufacturer's choice

Example of designation:
 ring type **A 25**

 DIN 471
 UNI 3653-7435
 Type **A** - for shafts


d₁=shaft diameter
d₂=groove diameter
d₃=ring diameter in the unstressed state
s=thickness

* **AA**= two holes execution

d1	Description	Price euro /100	% Price Change		Package
			1	2	
32.00	A 32	2,80	NET	-	250

RING		GROOVE		SUPPLEMENTARY DATA	
d₁	32.00	d₂	30.3	n	2.6
s	1.50	tole d₂	-0.25	FN (kN)	13.8
tole s	-0.06	m	1.60	FR (kN)	31.20
d₃	29.6	t	0.85	g	2.0
tole d₃	+0.21 -0.42			FRg (kN)	5.55
a max	5.2			AN (mm²)	83.0
b ~	3.6			K (kN.mm)	61.80
d₅ min	2.5			n_{abl} x1000 (giri/min)	17.0
weight kg/1000	3.540			plier	ZGA 2

Technical informations are indicative and can be updated.

Copyright Gandini Fasteners S.r.l. All rights reserved. No part of this web site may be reproduced in any form without express permission.

GANDINI FASTENERS SRL viale Pier Paolo Pasolini, 83 - 20099 Sesto S.Giovanni Milano Italy
 Tel. +39 02 241 047 250 Fax +39 02 241 047 74

 Production and distribution
 of fasteners, fixing elements
 and mechanical parts
 machining

GANDINI FASTENERS SRL
 viale Pier Paolo Pasolini, 83
 Sesto San Giovanni Mi - Italy

Sales department
 250@gandini.it
 tel +39 02 241 047 250

Administration
 350@gandini.it
 tel +39 02 241 047 350