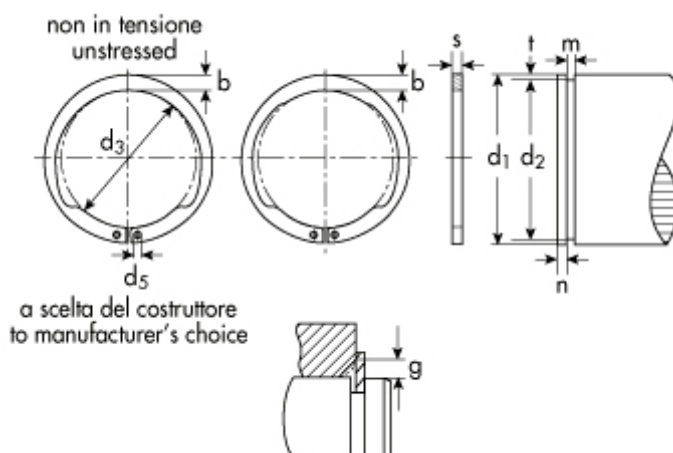


**RETAINING RINGS**
**Material:** Spring steel

**Hardness:**
**SURFACE FINISHES**  
 Phosphated and oiled  
 Blackened and oiled  
 Manufacturer's choice

**Example of designation:**  
 ring type AV 30

 Concentric  
 Type AV - for  
 shafts

**d<sub>1</sub>**=shaft diameter  
**d<sub>2</sub>**=groove diameter  
**d<sub>3</sub>**=ring diameter in the unstressed state  
**s**=thickness

| d1    | Description | Price<br>euro /100 | % Price Change |   | Package |
|-------|-------------|--------------------|----------------|---|---------|
|       |             |                    | 1              | 2 |         |
| 12.00 | AV 12       | 17,00              | -              | - | 1000    |

| RING                |             | GROOVE              |       | SUPPLEMENTARY DATA                 |       |
|---------------------|-------------|---------------------|-------|------------------------------------|-------|
| d <sub>1</sub>      | 12.00       | d <sub>2</sub>      | 11.5  | n                                  | 0.7   |
| s                   | 1.00        | tole d <sub>2</sub> | -0.11 | FN (kN)                            | 0.70  |
| tole s              | -0.05       | m                   | 1.10  | FR (kN)                            | 4.5   |
| d <sub>3</sub>      | 11.00       | t                   | 0.25  | g                                  | 1.0   |
| tole d <sub>3</sub> | +0.10 -0.36 |                     |       | FRg (kN)                           | 2.4   |
| b ~                 | 2.1         |                     |       | AN (mm <sup>2</sup> )              | 4.2   |
| tole b              | +0.1 -0.1   |                     |       | K (kN.mm)                          | 21.6  |
| d <sub>5</sub> min  | 1.3         |                     |       | n <sub>abl</sub> .x1000 (giri/min) | 79    |
| weight kg/1000      | 0.500       |                     |       | plier                              | ZGA 0 |

Technical informations are indicative and can be updated.

Copyright Gandini Fasteners S.r.l. All rights reserved. No part of this web site may be reproduced in any form without express permission.

**GANDINI FASTENERS SRL** viale Pier Paolo Pasolini, 83 - 20099 Sesto S.Giovanni Milano Italy  
 Tel. +39 02 241 047 250 Fax +39 02 241 047 74

 Production and distribution  
 of fasteners, fixing elements  
 and mechanical parts  
 machining

**GANDINI FASTENERS SRL**  
 viale Pier Paolo Pasolini, 83  
 Sesto San Giovanni Mi - Italy

**Sales department**  
 250@gandini.it  
 tel +39 02 241 047 250

**Administration**  
 350@gandini.it  
 tel +39 02 241 047 350