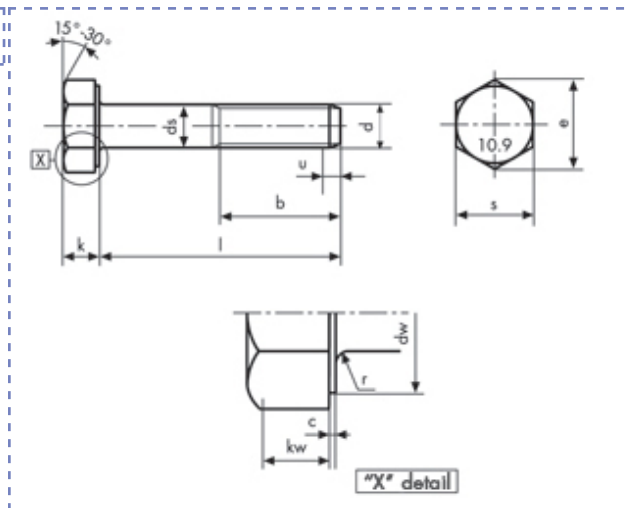


Metallic screws and nuts

On request: AISI 304 - 316 - 410 - B7 - L7 materials



Hexagonal head screws
UNC ANSI B18-2-1 GR5
 partially threaded
Class 10.9



Description	Price VAT excl. euro/100	% Price Change	Package	d inch	L inch
1/ 4 UNC X 1.3/4	on demand	-	1	1/4	1.3/4

1/ 4 UNC X 1.3/4	ds	max	6.35	r	max	0.63		
p	1.27	min	6.22	min		0.38		
b	l ≤ 6" (152,4)	19	dw	min	10	s	max	11.11
	l > 6" (152,4)	25.4	k	max	4.14	min		10.87
c	max	0.63	min		3.81	e	min	12.4
	min	0.38	kw	min	2.7			

Technical informations are indicative and can be updated.

Copyright Gandini Fasteners S.r.l. All rights reserved. No part of this web site may be reproduced in any form without express permission.

GANDINI FASTENERS SRL viale Pier Paolo Pasolini, 83 - 20099 Sesto S.Giovanni Milano Italy
 Tel. +39 02 241 047 250 Fax +39 02 241 047 74

Production and distribution
 of fasteners, fixing elements
 and mechanical parts
 machining

GANDINI FASTENERS SRL
 viale Pier Paolo Pasolini, 83
 Sesto San Giovanni Mi - Italy

Sales department
 250@gandini.it
 tel +39 02 241 047 250

Administration
 350@gandini.it
 tel +39 02 241 047 350