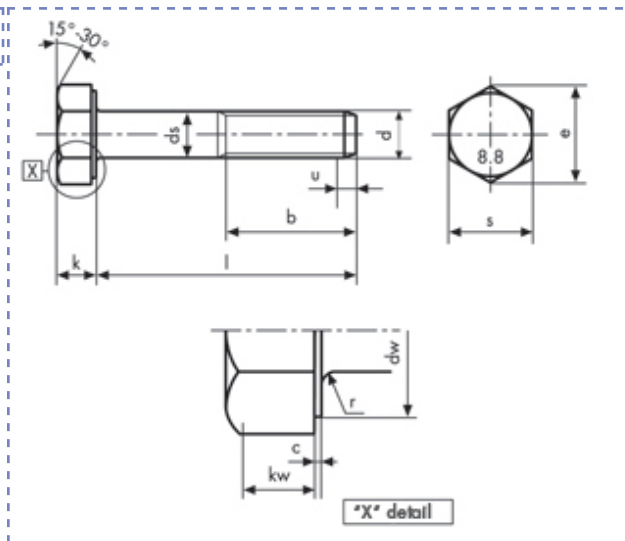


**Metallic screws and nuts**

On request: AISI 304 - 316 - 410 - B7 - L7 materials



Hexagonal head screws  
**UNC ANSI B18-2-1 GR5**  
 partially threaded  
 Class 8.8 Zinc plated



Description	Price VATexcl. euro/100	% Price Change		Package	d inch	L inch
		1	2			
<b>5/16 UNC X 4 ZINCATE</b>	<b>on demand</b>	-	-	1	5/16	4

<b>5/16 UNC X 4 ZINCATE</b>	<b>ds</b>	<b>max</b>	7.94	<b>r</b>	<b>max</b>	0.63	
<b>p</b>	1.41	<b>min</b>	7.79	<b>min</b>		0.38	
<b>b</b>	<b>l ≤ 6" (152,4)</b>	<b>dw</b>	<b>min</b>	11.43	<b>s</b>	<b>max</b>	12.7
	<b>l &gt; 6" (152,4)</b>	<b>k</b>	<b>max</b>	5.36	<b>min</b>		12.42
<b>c</b>	<b>max</b>	<b>min</b>	4.95	<b>e</b>	<b>min</b>		14.15
	<b>min</b>	<b>kw</b>	<b>min</b>	3.55			

Technical informations are indicative and can be updated.

Copyright Gandini Fasteners S.r.l. All rights reserved. No part of this web site may be reproduced in any form without express permission.

**GANDINI FASTENERS SRL** viale Pier Paolo Pasolini, 83 - 20099 Sesto S.Giovanni Milano Italy  
 Tel. +39 02 241 047 250 Fax +39 02 241 047 74

Production and distribution  
 of fasteners, fixing elements  
 and mechanical parts  
 machining

**GANDINI FASTENERS SRL**  
 viale Pier Paolo Pasolini, 83  
 Sesto San Giovanni Mi - Italy

**Sales department**  
 250@gandini.it  
 tel +39 02 241 047 250

**Administration**  
 350@gandini.it  
 tel +39 02 241 047 350