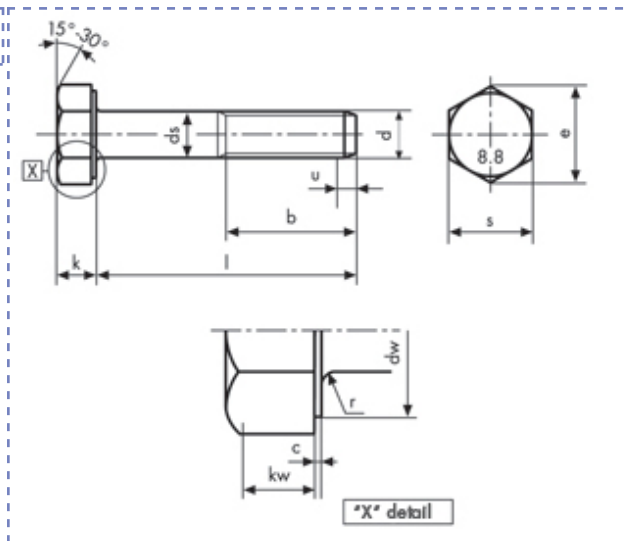


**Metallic screws and nuts**

On request: AISI 304 - 316 - 410 - B7 - L7 materials



Hexagonal head screws  
UNF ANSI B18-2-1 GR5  
partially threaded  
Class 8.8



Description	Price VATexcl. euro/100	% Price Change 1 2	Package	d inch	L inch
5/16 UNF X 4.3/4	on demand	-	1	5/16	4.3/4
5/16 UNF X 4.3/4 ZINCATE	on demand	-	1	5/16	4.3/4

5/16 UNF X 4.3/4		ds	max	7.94	r	max	0.63
p	1.06		min	7.79		min	0.38
b	l ≤ 6" (152,4)	dw	min	11.43	s	max	12.7
	l > 6" (152,4)	k	max	5.36		min	12.42
c	max		min	4.95	e	min	14.15
	min	0.38	kw	min			

Technical informations are indicative and can be updated.

Copyright Gandini Fasteners S.r.l. All rights reserved. No part of this web site may be reproduced in any form without express permission.

**GANDINI FASTENERS SRL** viale Pier Paolo Pasolini, 83 - 20099 Sesto S.Giovanni Milano Italy  
Tel. +39 02 241 047 250 Fax +39 02 241 047 74

Production and distribution  
of fasteners, fixing elements  
and mechanical parts  
machining

**GANDINI FASTENERS SRL**  
viale Pier Paolo Pasolini, 83  
Sesto San Giovanni Mi - Italy

**Sales department**  
250@gandini.it  
tel +39 02 241 047 250

**Administration**  
350@gandini.it  
tel +39 02 241 047 350