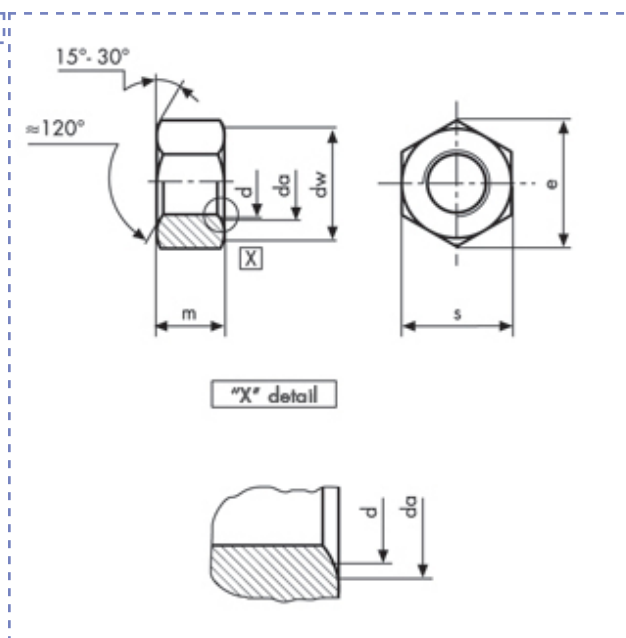
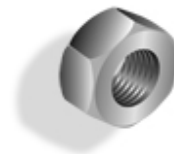


Metallic screws and nuts


Normal Hexagonal nuts -
Metric thread
UNI 5588 - DIN 934 (PG)
Class 8 (6S)



Description	Price VATexcl. euro/100	% Price Change		Package	d mm	m mm
		1	2			
M 3 x 0,5	0,55	+ 60%	-	1	M3	2,4

M 3 x 0,5	dw	min	4.5	s	nom = max	5.5
p	0.5	e	min	6.01	min	5.32
da	min	3.45	m	nom = max	2.4	
	min	3		min	2.15	

Technical informations are indicative and can be updated.

Copyright Gandini Fasteners S.r.l. All rights reserved. No part of this web site may be reproduced in any form without express permission.

GANDINI FASTENERS SRL viale Pier Paolo Pasolini, 83 - 20099 Sesto S.Giovanni Milano Italy
Tel. +39 02 241 047 250 Fax +39 02 241 047 74

Production and distribution
of fasteners, fixing elements
and mechanical parts
machining

GANDINI FASTENERS SRL Sales department
viale Pier Paolo Pasolini, 83 250@gandini.it
Sesto San Giovanni Mi - Italy tel +39 02 241 047 250

Administration
350@gandini.it
tel +39 02 241 047 350