



**e-mail to 250@gandini.it or fax to +39 02 241 047 74**

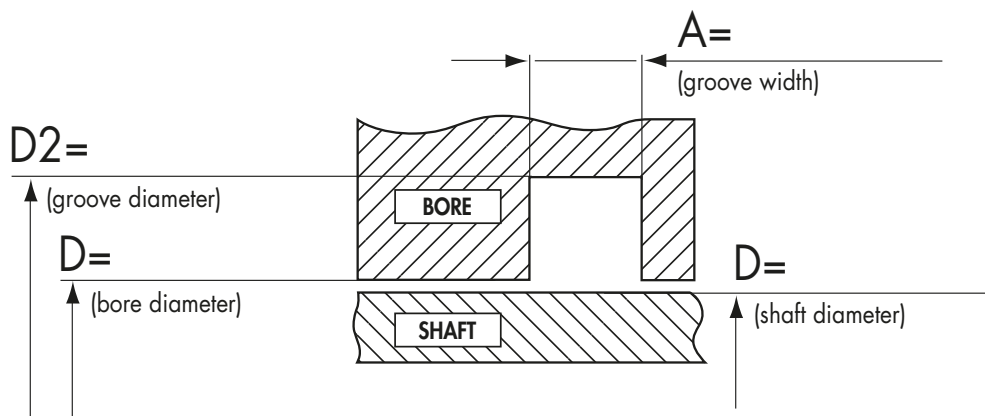
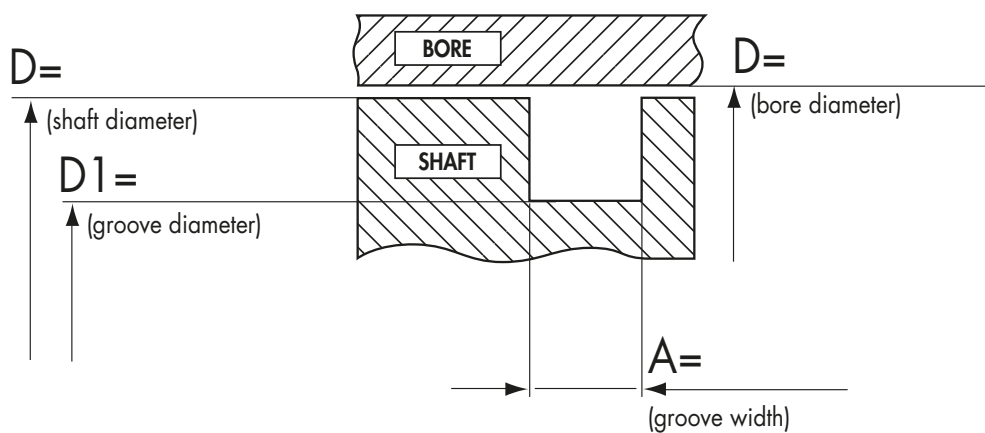
Name ..... Surname ..... Date .....

Company .....

Address ..... Zip Code ..... City ..... Nation .....

Phone ..... Fax .....

E-mail .....



**GANDINI FASTENERS SRL**