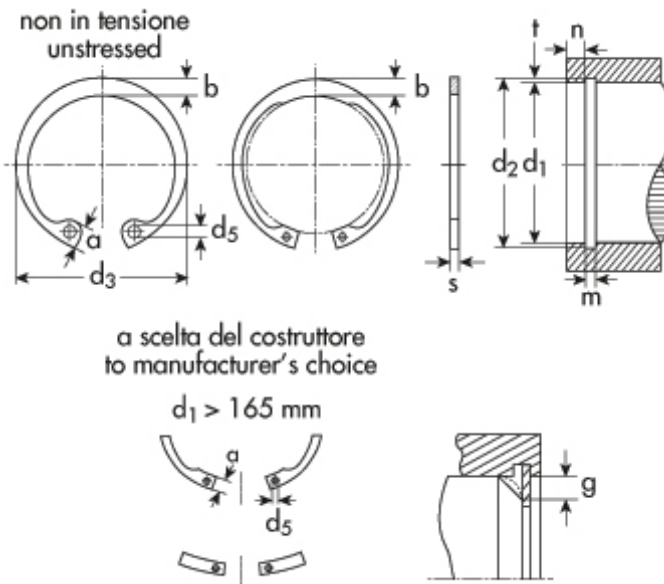


RETAINING RINGS
Material: Spring steel

Hardness:
SURFACE FINISHES
 Phosphated and oiled
 Blackened and oiled
 Manufacturer's choice

Example of designation:
 ring type J 30

 DIN 472
 UNI 3654-7437
 Type J - for bores


d_1 =bore diameter
 d_2 =groove diameter
 d_3 =ring diameter in the unstressed state
 s =thickness

d1	Description	Price euro /100	% Price Change		Package
			1	2	
63.00	J 63	32,00	-	-	100

RING		GROOVE		SUPPLEMENTARY DATA	
d_1	63.00	d_2	66.0	n	4.5
s	2.00	tole d_2	0.30	FN (kN)	50.60
tole s	-0.07	m	2.15	FR (kN)	60.8
d_3	67.2	t	1.50	g	2.0
tole d_3	+1.10 -0.46			FRg (kN)	13.0
a max	7.3			AN (mm ²)	304.0
b ~	5.6			K (kN.mm)	112.0
d_5 min	2.5			plier	ZGJ 3
weight kg/1000	12.400				

Technical informations are indicative and can be updated.

Copyright Gandini Fasteners S.r.l. All rights reserved. No part of this web site may be reproduced in any form without express permission.

GANDINI FASTENERS SRL viale Pier Paolo Pasolini, 83 - 20099 Sesto S.Giovanni Milano Italy
 Tel. +39 02 241 047 250 Fax +39 02 241 047 74

 Production and distribution
 of fasteners, fixing elements
 and mechanical parts
 machining

GANDINI FASTENERS SRL
 viale Pier Paolo Pasolini, 83
 Sesto San Giovanni Mi - Italy

Sales department
 250@gandini.it
 tel +39 02 241 047 250

Administration
 350@gandini.it
 tel +39 02 241 047 350