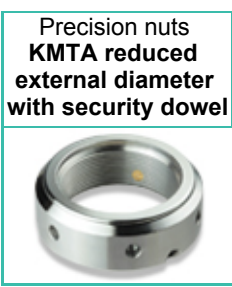
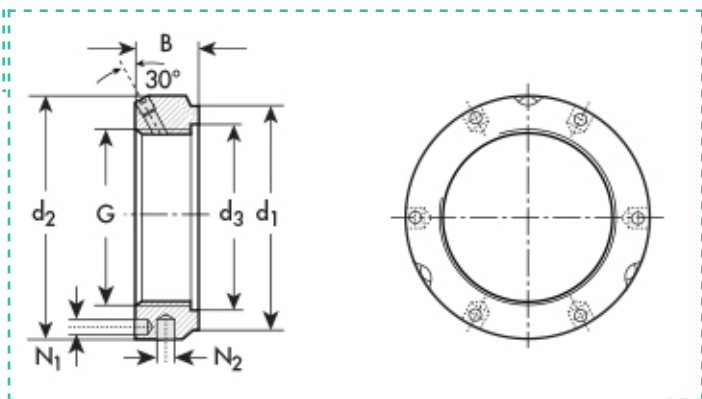


**LOCK NUTS, WASHERS, ADAPTER SLEEVES, ADJUSTING RINGS, HOOK WRENCHES**

Material: **Steel**

Example of designation: **KMTA 5**



Type	G - Thread	d2	d1	d3	B	N1	N2	Price VAT excl. Euro cad	% Price Change	Package
<b>KMTA 16</b>	M 80x2	110	97	83	30	6.4	8	<b>80,00</b>	1 2	5

Technical informations are indicative and can be updated.  
Copyright Gandini Fasteners S.r.l. All rights reserved. No part of this web site may be reproduced in any form without express permission.

**GANDINI FASTENERS SRL** viale Pier Paolo Pasolini, 83 - 20099 Sesto S.Giovanni Milano Italy  
Tel. +39 02 241 047 250 Fax +39 02 241 047 74

Production and distribution of fasteners, fixing elements and mechanical parts machining

**GANDINI FASTENERS SRL Sales department**  
viale Pier Paolo Pasolini, 83 250@gandini.it  
Sesto San Giovanni Mi - Italy tel +39 02 241 047 250

**Administration**  
350@gandini.it  
tel +39 02 241 047 350