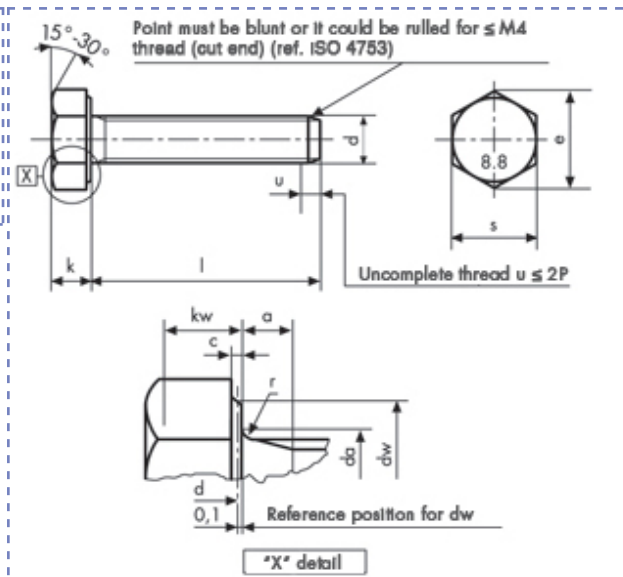


Metallic screws and nuts

ISO 8676 foresees s, e, dw values different by UNI and DIN for M10, M12, M14, M22 diameters
Tolerance: A and B category according to stock availability

On request: AISI 304 - 316 - 410 - B7 - L7 materials



Hexagonal head screws
ISO 8676- UNI 5740
DIN 961
totally threaded
Class 8.8 Zinc plated



Description	Price VATexcl. euro/100	% Price Change		Package	d mm	L mm
		1	2			
M 10 X 55 ZINCATE	on demand	-	-	1	M10	55

M 10 X 55 ZINCATE	da	max	11.2	kw	min cat. A	4.35	
p	1.25	dw	min cat. A	15.6	r	min	0.4
a	max	e	min cat. A	18.9	s	max	17
	min		nom	6.4		min cat. A	16.73
c	max	k	min cat. A	6.22			
	min		max cat. A	6.58			

Technical informations are indicative and can be updated.

Copyright Gandini Fasteners S.r.l. All rights reserved. No part of this web site may be reproduced in any form without express permission.

GANDINI FASTENERS SRL viale Pier Paolo Pasolini, 83 - 20099 Sesto S.Giovanni Milano Italy
 Tel. +39 02 241 047 250 Fax +39 02 241 047 74

Production and distribution
 of fasteners, fixing elements
 and mechanical parts
 machining

GANDINI FASTENERS SRL Sales department
 viale Pier Paolo Pasolini, 83 250@gandini.it
 Sesto San Giovanni Mi - Italy tel +39 02 241 047 250

Administration
 350@gandini.it
 tel +39 02 241 047 350