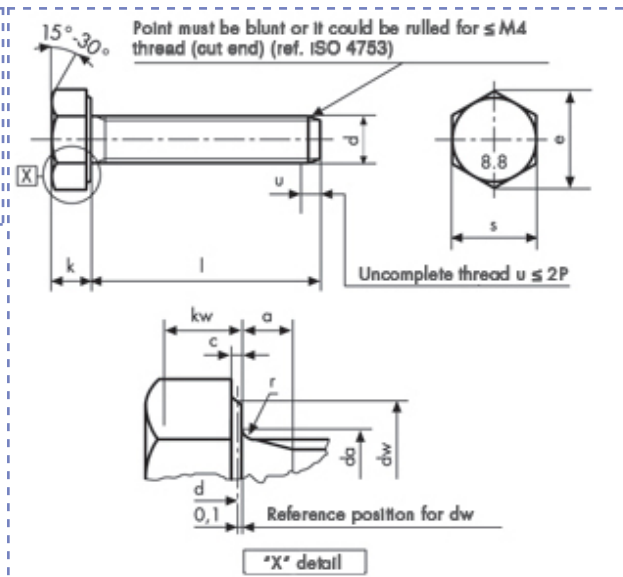


**Metallic screws and nuts**

ISO 8676 foresees s, e, dw values different by UNI and DIN for M10, M12, M14, M22 diameters  
**Tolerance:** A and B category according to stock availability

**On request:** AISI 304 - 316 - 410 - B7 - L7 materials



Hexagonal head screws  
**ISO 8676- UNI 5740**  
**DIN 961**  
**totally threaded**  
**Class 8.8 Zinc plated**



Description	Price VATexcl. euro/100	% Price Change		Package	d mm	L mm
		1	2			
<b>M 8 X 20 ZINCATE</b>	<b>on demand</b>	-	-	1	M8	20

<b>M 8 X 20 ZINCATE</b>	<b>da</b>	<b>max</b>	9.2	<b>kw</b>	<b>min cat. A</b>	3.61	
<b>p</b>	1	<b>dw</b>	<b>min cat. A</b>	11.63	<b>r</b>	<b>min</b>	0.4
<b>a</b>	<b>max</b>	<b>e</b>	<b>min cat. A</b>	14.38	<b>s</b>	<b>max</b>	13
	<b>min</b>		<b>nom</b>	5.3		<b>min cat. A</b>	12.73
<b>c</b>	<b>max</b>	<b>k</b>	<b>min cat. A</b>	5.15			
	<b>min</b>		<b>max cat. A</b>	5.45			

Technical informations are indicative and can be updated.

Copyright Gandini Fasteners S.r.l. All rights reserved. No part of this web site may be reproduced in any form without express permission.

**GANDINI FASTENERS SRL** viale Pier Paolo Pasolini, 83 - 20099 Sesto S.Giovanni Milano Italy  
 Tel. +39 02 241 047 250 Fax +39 02 241 047 74

Production and distribution  
 of fasteners, fixing elements  
 and mechanical parts  
 machining

**GANDINI FASTENERS SRL** Sales department  
 viale Pier Paolo Pasolini, 83 250@gandini.it  
 Sesto San Giovanni Mi - Italy tel +39 02 241 047 250

**Administration**  
 350@gandini.it  
 tel +39 02 241 047 350