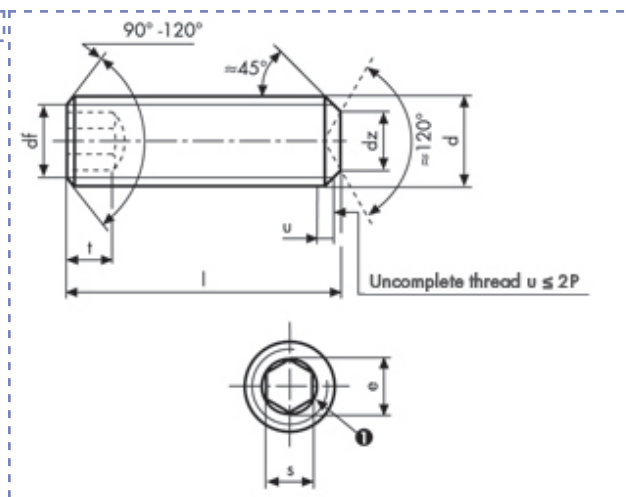


Metallic screws and nuts


Grub socket screws
ISO 4029 UNI 5929
DIN 916
Class 45 H



Description	Price VATexcl. euro/100	% Price Change		Package	d mm	L mm
		1	2			
M 6 X 16	7,70	+ 60%	-	1	M6	16

M 6 X 16		df	≈ diametro di nocciolo della filettatura	s	nom	3	
p	1	e	min	3.443	max	3.08	
dz	max				min	3.02	
	min				t	min	2
	2.75						

Technical informations are indicative and can be updated.

Copyright Gandini Fasteners S.r.l. All rights reserved. No part of this web site may be reproduced in any form without express permission.

GANDINI FASTENERS SRL viale Pier Paolo Pasolini, 83 - 20099 Sesto S.Giovanni Milano Italy
 Tel. +39 02 241 047 250 Fax +39 02 241 047 74

Production and distribution
 of fasteners, fixing elements
 and mechanical parts
 machining

GANDINI FASTENERS SRL Sales department
 viale Pier Paolo Pasolini, 83 250@gandini.it
 Sesto San Giovanni Mi - Italy tel +39 02 241 047 250

Administration
 350@gandini.it
 tel +39 02 241 047 350